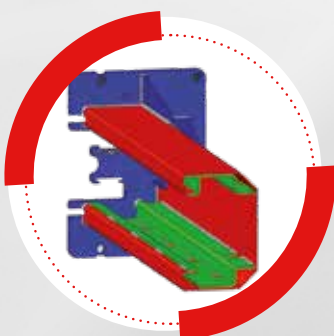
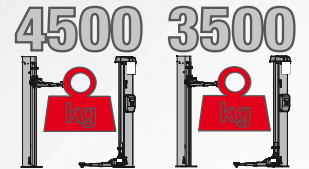




**Electro-hydraulic  
two post lifts with  
base connection**



**Internally reinforced  
column structure** for  
little bending and  
internal cable guiding



**Double threaded lifting  
pad** to ensure excellent  
vertical adjustment  
(95÷180 mm).

# ERCO HC4502 B - ERCO HC3502 B



Base connection for low ceiling height.

**Realignment of the two carriages** using metal cables that guarantee **excellent synchronisation**.



## PROTECTIONS

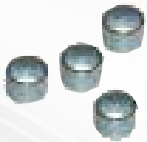
Rubber door protections.  
**Toothed sector** arm rotation stop system



## ARMS

**Four three-section asymmetrical arms.**  
Last section of arms very thin (30mm), for easy access to flat vehicles.

## RECOMMENDED ACCESSORIES



**8-43300021**  
Set of 4 extension for pads, H=35 mm



**8-43300014**  
Set of 4 extension for pads, H=80 mm



**8-43300015**  
Set of 4 extension for pads, H=140 mm



**8-43300016**  
Set of 4 adapters for Mercedes Sprinter

See separate catalogue for further accessories.

## INCLUDED ACCESSORIES

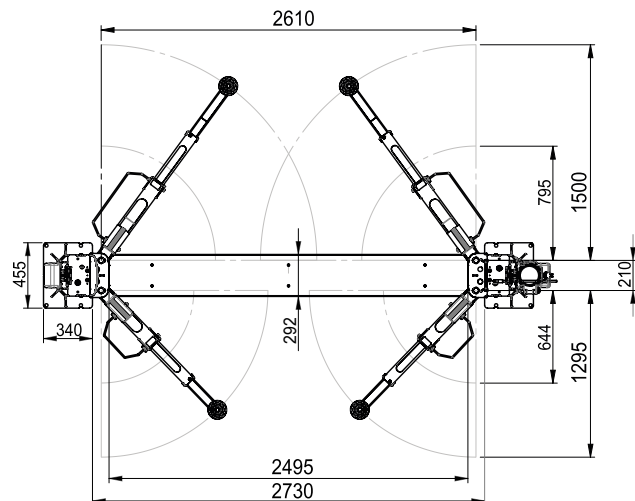
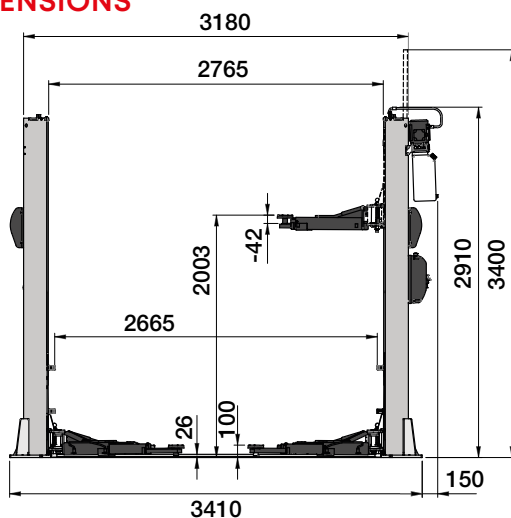
Mechanical carriage support device on each column ensures optimum working safety.

Two set of extension pads.

## TECHNICAL DATA

Model	Erco HC4502 B	Erco HC3502 B
Lift capacity	<b>4500 kg</b>	<b>3500 kg</b>
Lifting time	<b>40 s</b>	
Three phase motor	<b>400/230V - 3kW - 3Ph - 50/60Hz</b>	
Single phase motor	<b>230V - 3kW - 1Ph - 50/60Hz</b>	
Max. lifting height	<b>2003 mm</b>	
Lift minimum height	<b>115 mm</b>	

## DIMENSIONS



The manufacturer reserves the right to modify the features of its products at any time.



NEXION SPA - [www.corghi.com](http://www.corghi.com) - [info@corghi.com](mailto:info@corghi.com)

Designed in



Cod. DPCG001397\_05/2024

